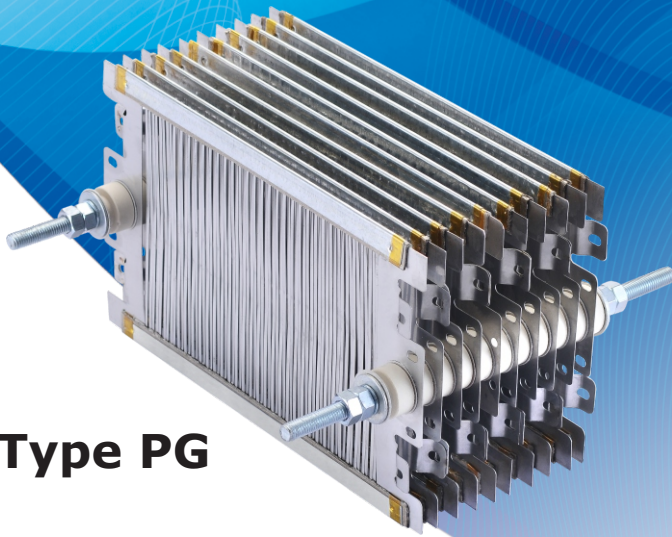


**HIGH POWER  
PUNCHED GRID  
RESISTORS**



**Type PG**



**CONSTRUCTION**

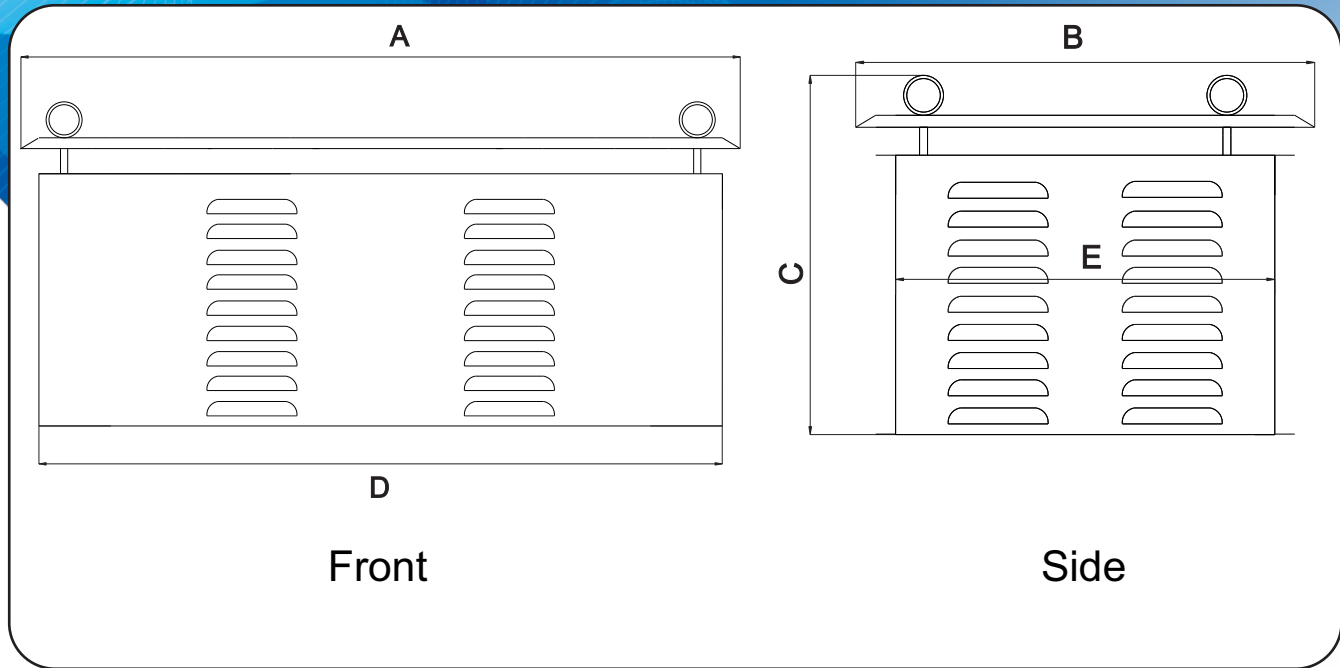
These type of resistors use sheets of Nichrome or Fecral or Stainless Steel as resistive material. These sheets are punched to required Ohmic values and then assembled on tie rod with ceramic support and insulation as module. Such multiple modules are assembled in an enclosure to achieve required power.

**APPLICATIONS**

Loading Resistors  
Dynamic Braking Resistor  
Starting Resistors  
Neutral Grounding Resistor

**Technical Specifications:**

1. Power Rating: 7.5-250 KW
2. Resistance Tolerance: +/- 10%
3. Di-electric Voltage: 2500 VAC
4. Insulation Resistance: > 20M Ohm
5. Short Term Over Load : 10 x wattage rating for 10 sec.
6. Temperature Rise: 375 Deg. C + Ambient
7. Safe Operating Temperature 200 Deg. C



DIMENSIONS (IN mm)					
POWER KW	A	B	C	D	E
5KW	375	550	325	325	450
7.5KW	475	550	325	425	450
10KW	550	550	325	500	450
12.5KW	650	550	325	600	450
15KW	725	575	450	675	475
17.5KW	800	575	450	750	475
20KW	900	575	450	850	475
22.5KW	1000	575	450	950	475
25KW	1050	575	450	1000	475
30KW	725	575	700	675	475
40KW	900	575	700	850	475
50KW	1050	575	700	1000	475
60KW	900	575	950	850	475

**Material Specifications:**

1. Enclosure options 2mm, 1.6mm and 1.2mm
2. Powder coated or Galvanized Sheet enclosure.
3. Resistive material Fecral, Nichrome or Stainless Steel.
4. Thermal cutoff 160°C (OPTIONAL)
5. Power Connection Copper/Aluminium Bus Bar or connector.
6. Protection class available as per requirement.
7. Dimensional Tolerance +/- 10mm.
8. Custom Design Available.